

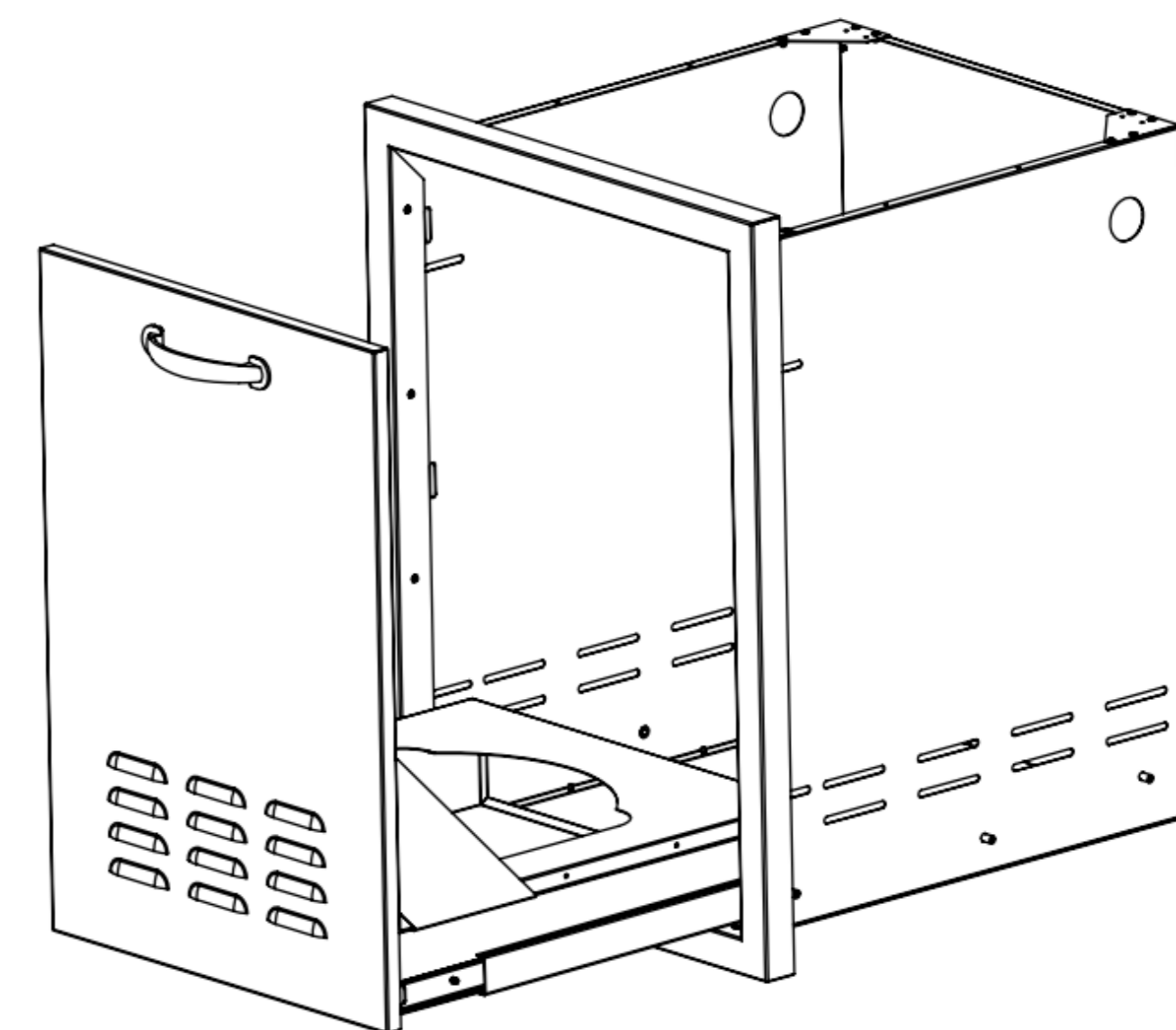
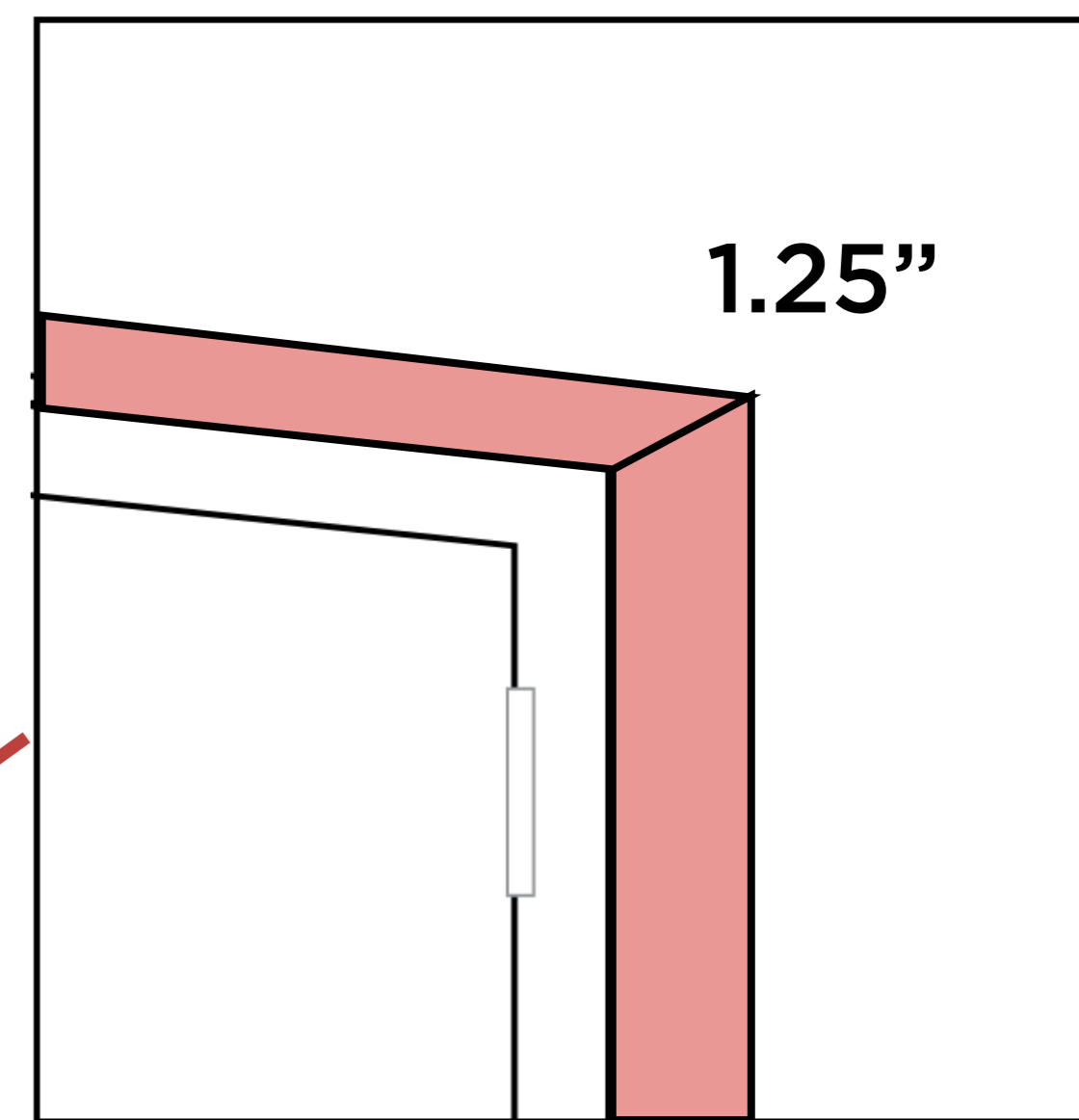
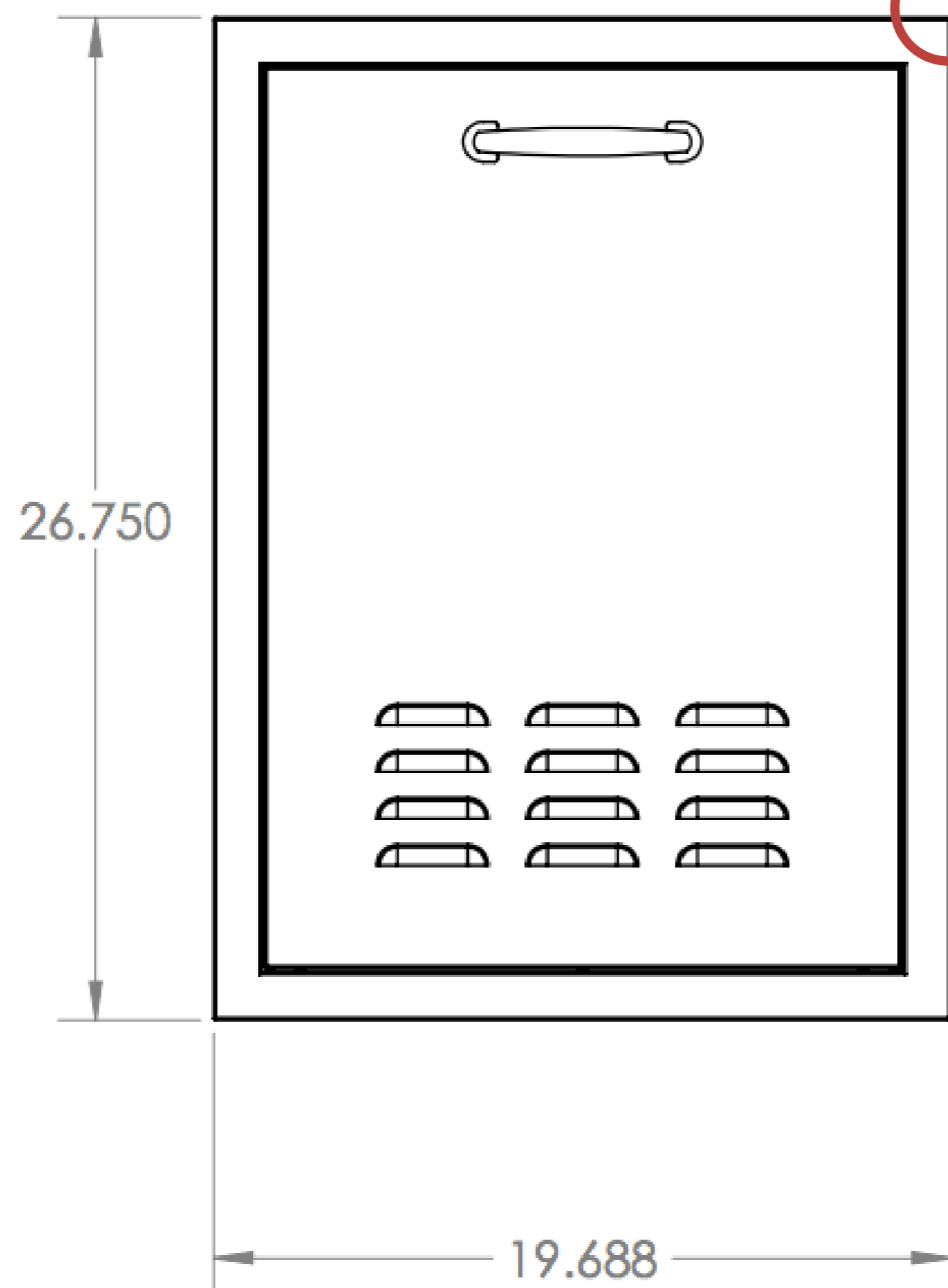


# SUMMERSET

PROFESSIONAL GRILLS

## Trash Drawer (Masonry Flange)

<b>Model</b>	SSTD-M
<b>Cutout Dimensions **</b>	18"W x 24.75"H x 20.5"D
<b>Actual Dimensions</b>	19.67"W x 26.75"H x 20.42"D



### NOTES

