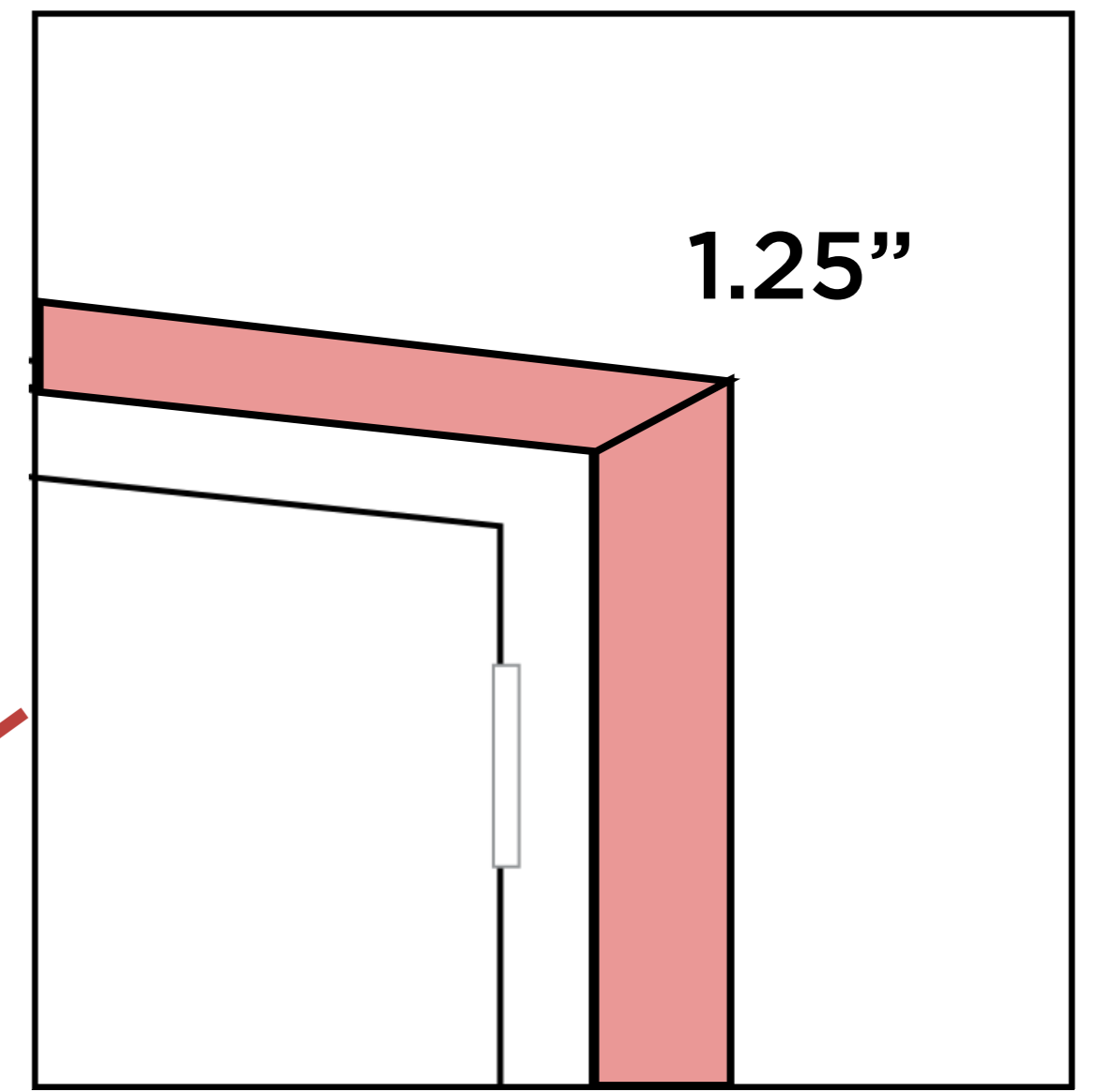
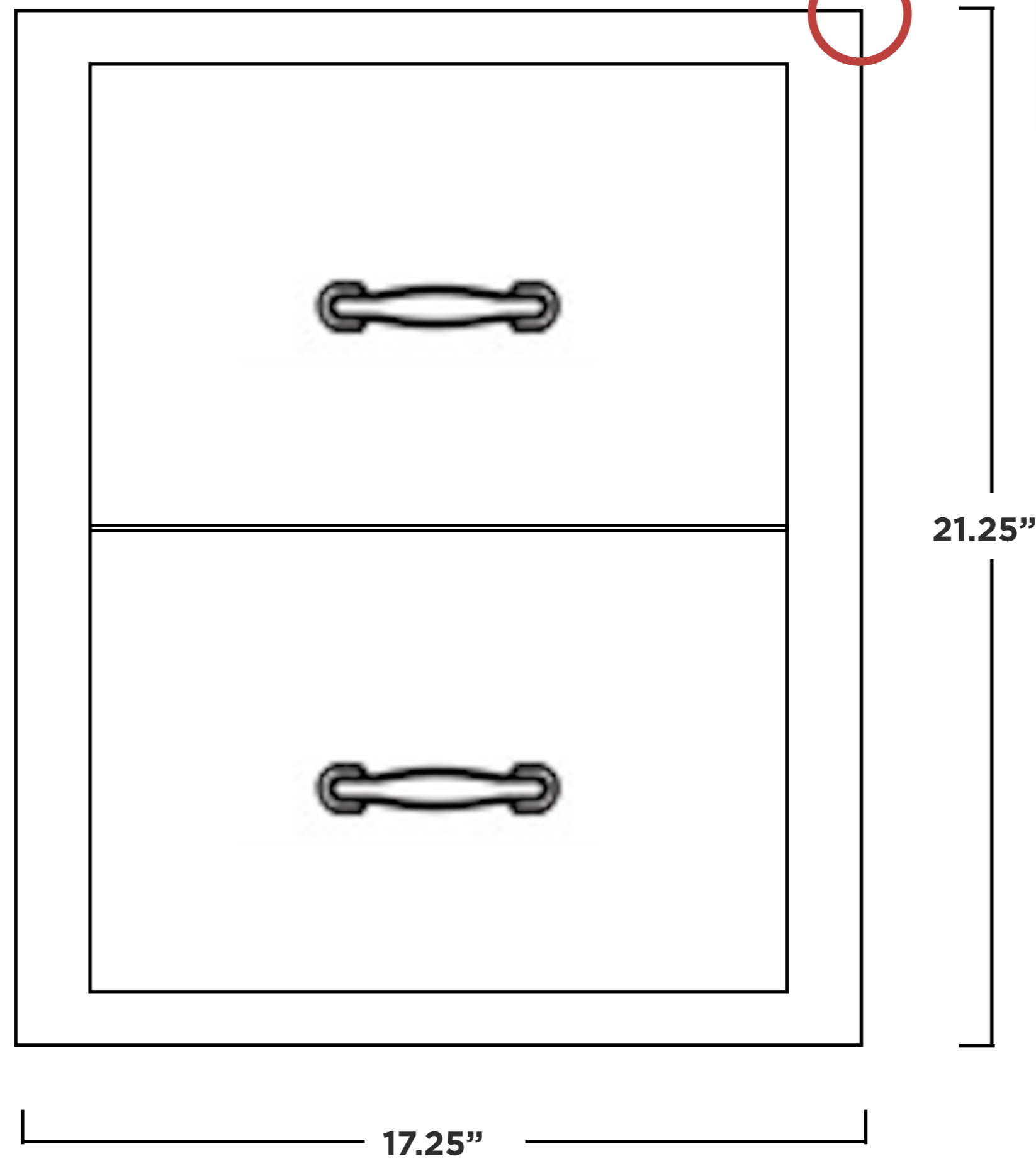




SUMMERSET
PROFESSIONAL GRILLS

Double Drawer (Masonry Flange)

Model	SSDR-2M
Cutout Dimensions **	15.25"W x 19.25"H x 20.75"D
Actual Dimensions	17.25"W x 21.25"H x 21"D



NOTES

