

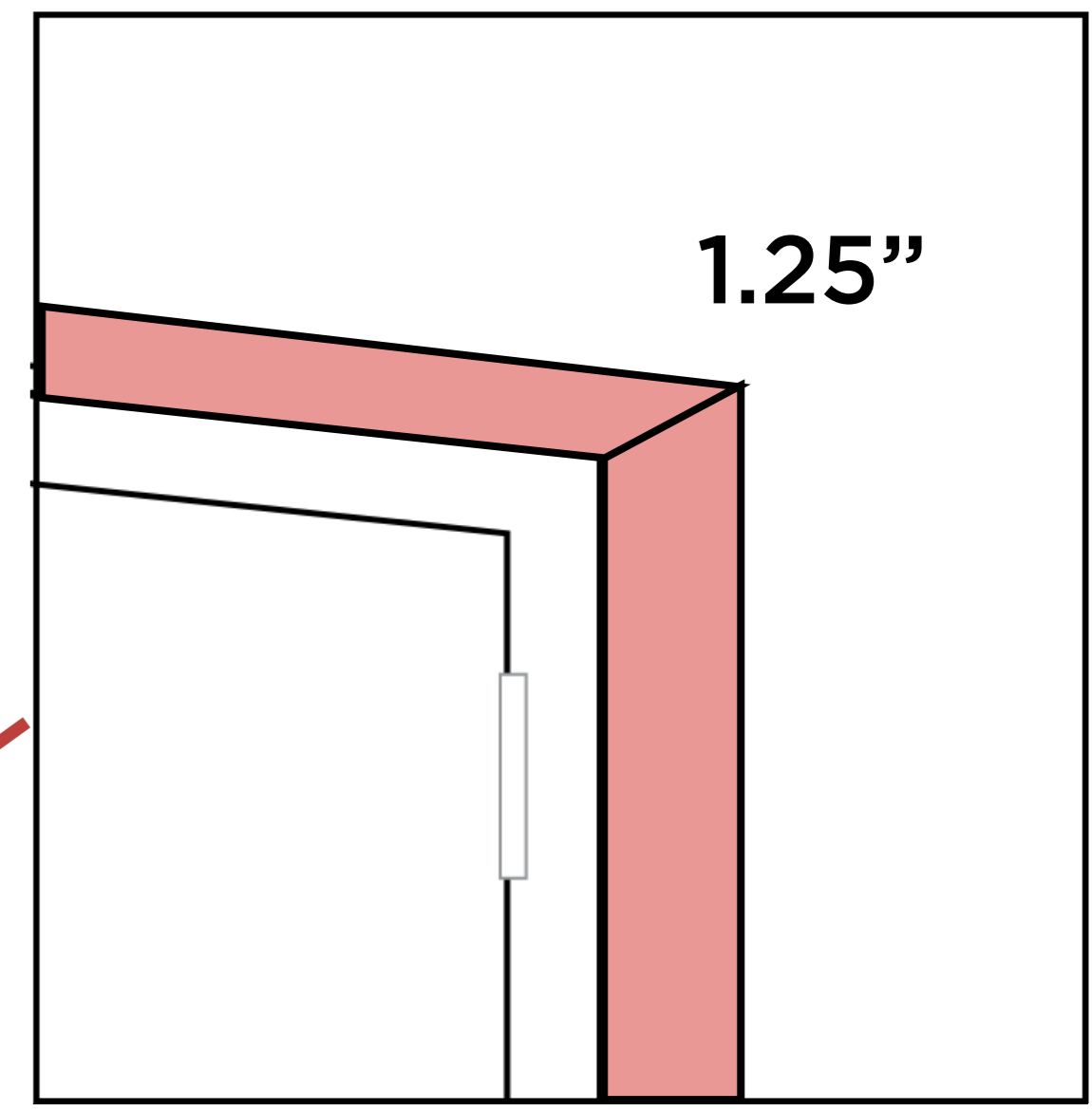
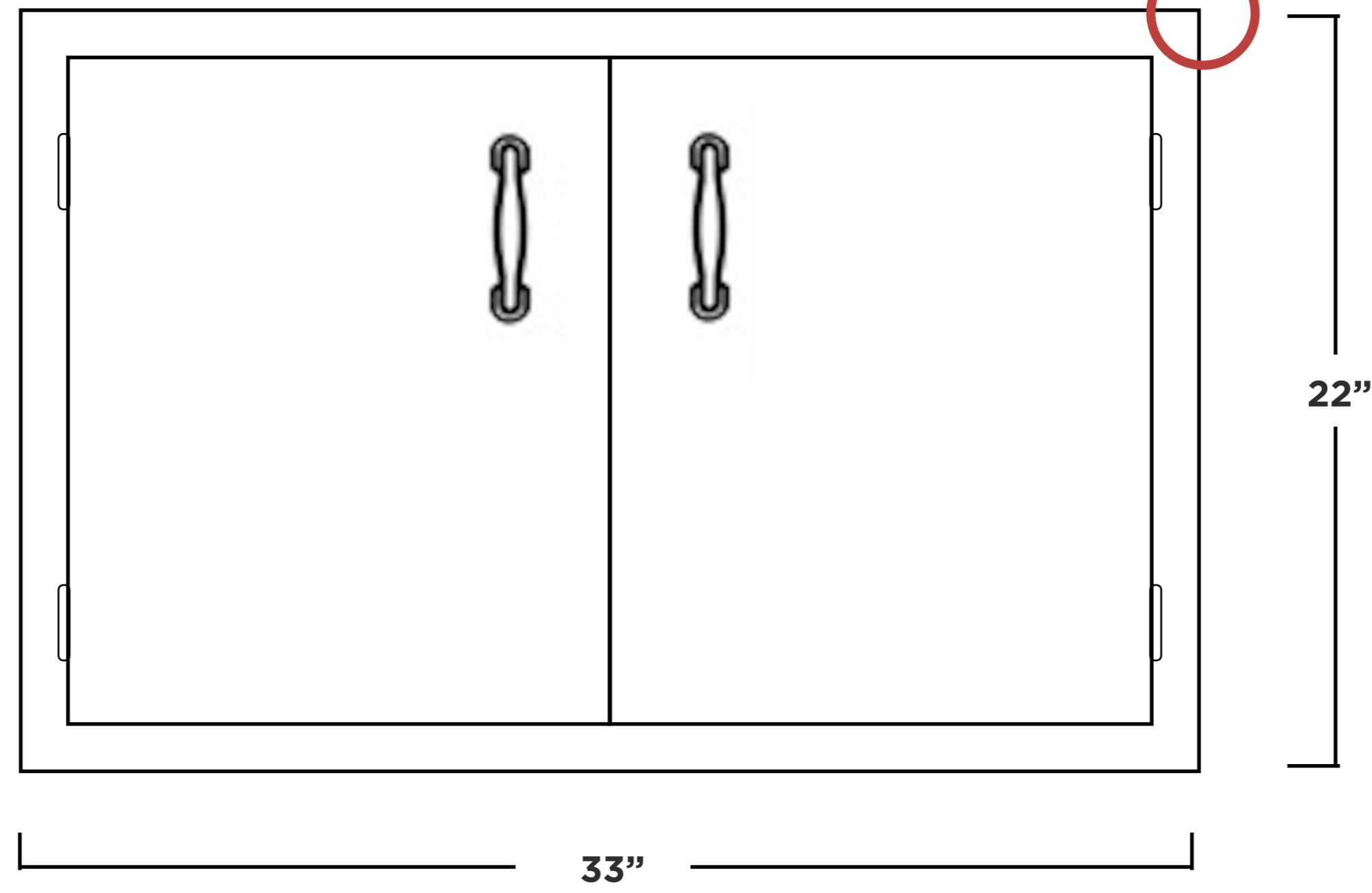


SUMMERSET

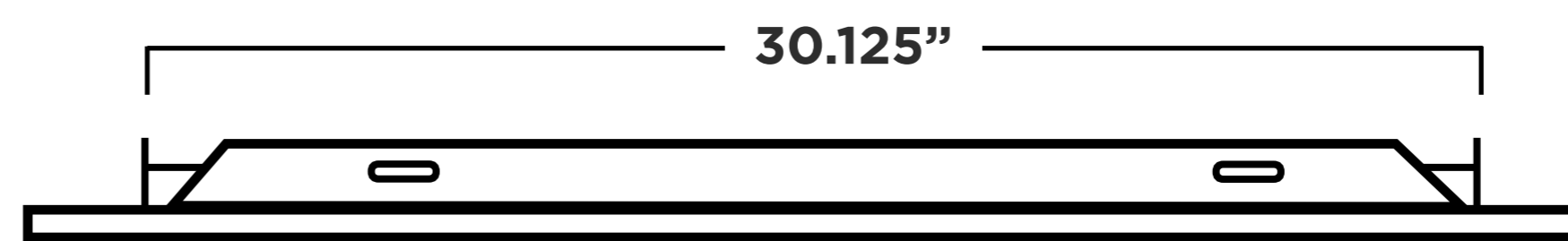
PROFESSIONAL GRILLS

30" - Double Door (Masonry Flange)

Model	SSDD-30M
Cutout Dimensions **	30.25"W x 19.5"H x N/A"D
Actual Dimensions	33"W x 22"H x N/A"D



Top



Side



NOTES