

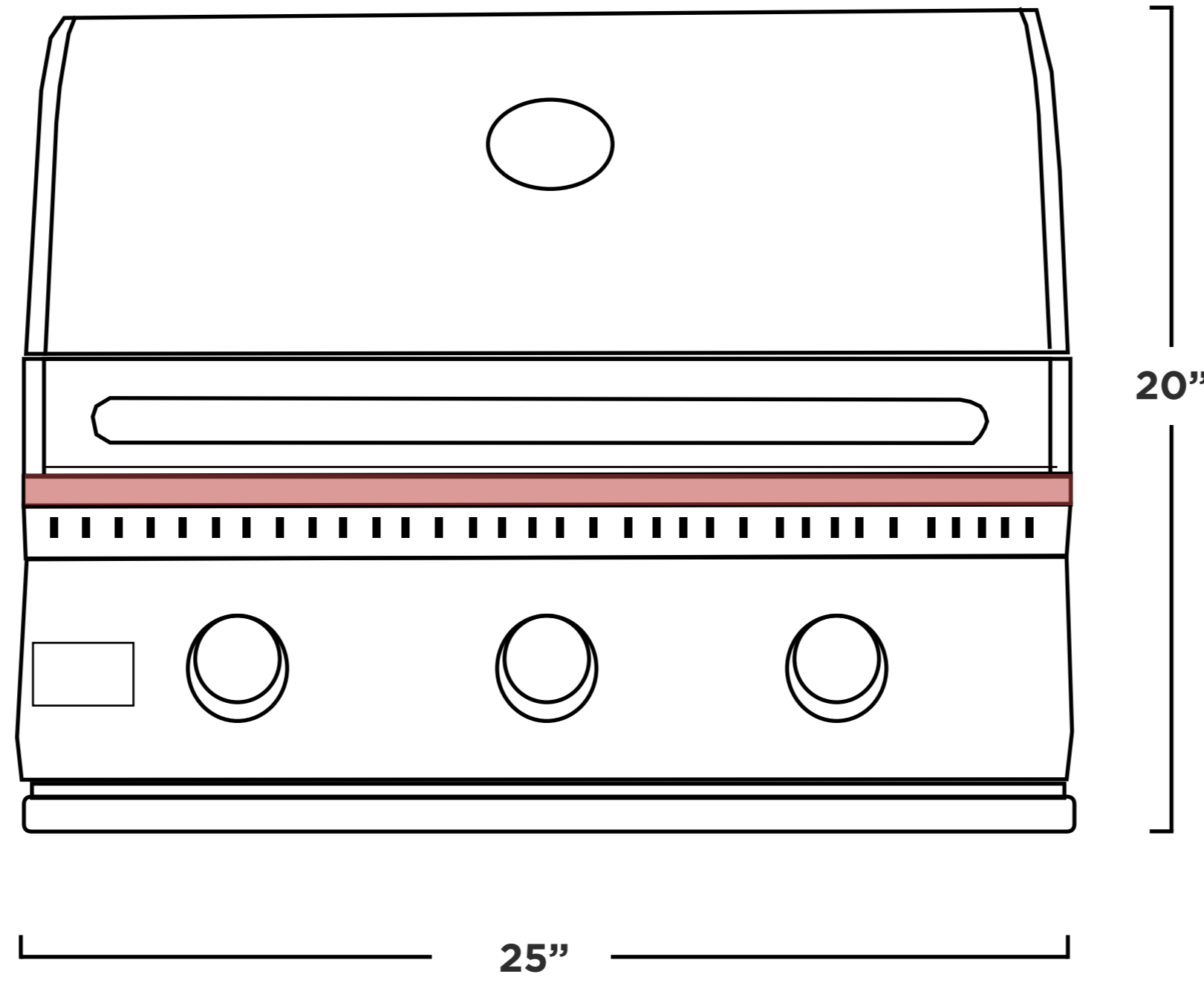


**SUMMERSET**  
PROFESSIONAL GRILLS

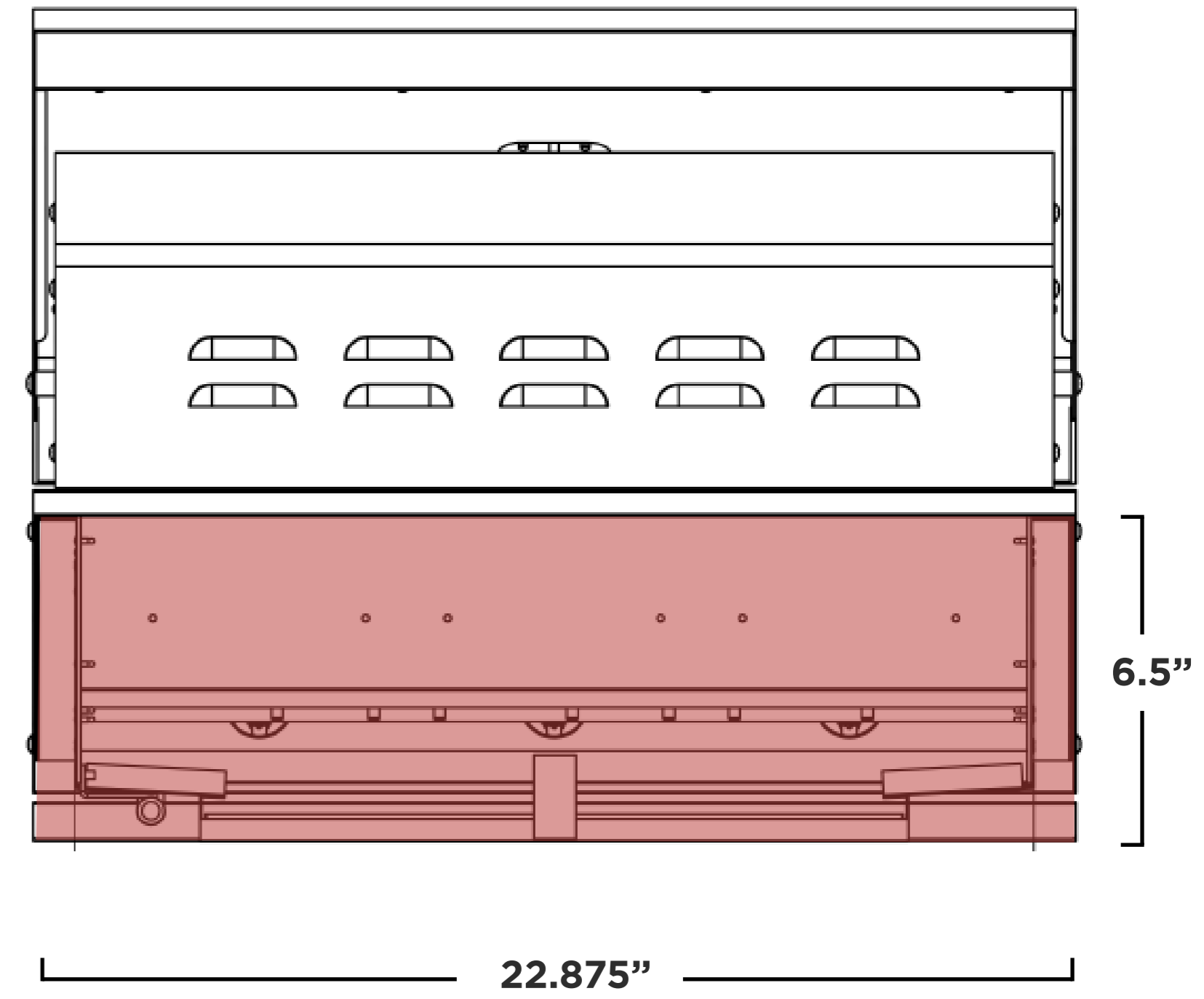
**26" - Sizzler**

<b>Model</b>	<b>SIZ26</b>
<b>Cutout Dimensions**</b>	<b>23.75"W x 8.5"H x 20.75"D</b>
<b>Actual Dimensions</b>	<b>25"W x 20"H x 25.5"D</b>
<b>Material</b>	<b>#443 Stainless Steel</b>
<b>Burner Count</b>	<b>3 Main Burner</b>
<b>Total BTU</b>	<b>36,000 BTU</b>
<b>Total Cooking Surface</b>	<b>550 sq. in.</b>
<b>Electical Supply</b>	<b>120 VAC, 60 HZ - Input 12 VAC, 5000 mA, 60W - Output</b>
<b>Gas Inlet NG</b>	<b>3/8" NPT Female Regulator</b>
<b>Gas Inlet LP</b>	<b>3/8" NPT Male Fitting</b>
<b>Power Cord Length</b>	<b>13 ft. : 77" Power Cord + 80" Trans Wire</b>

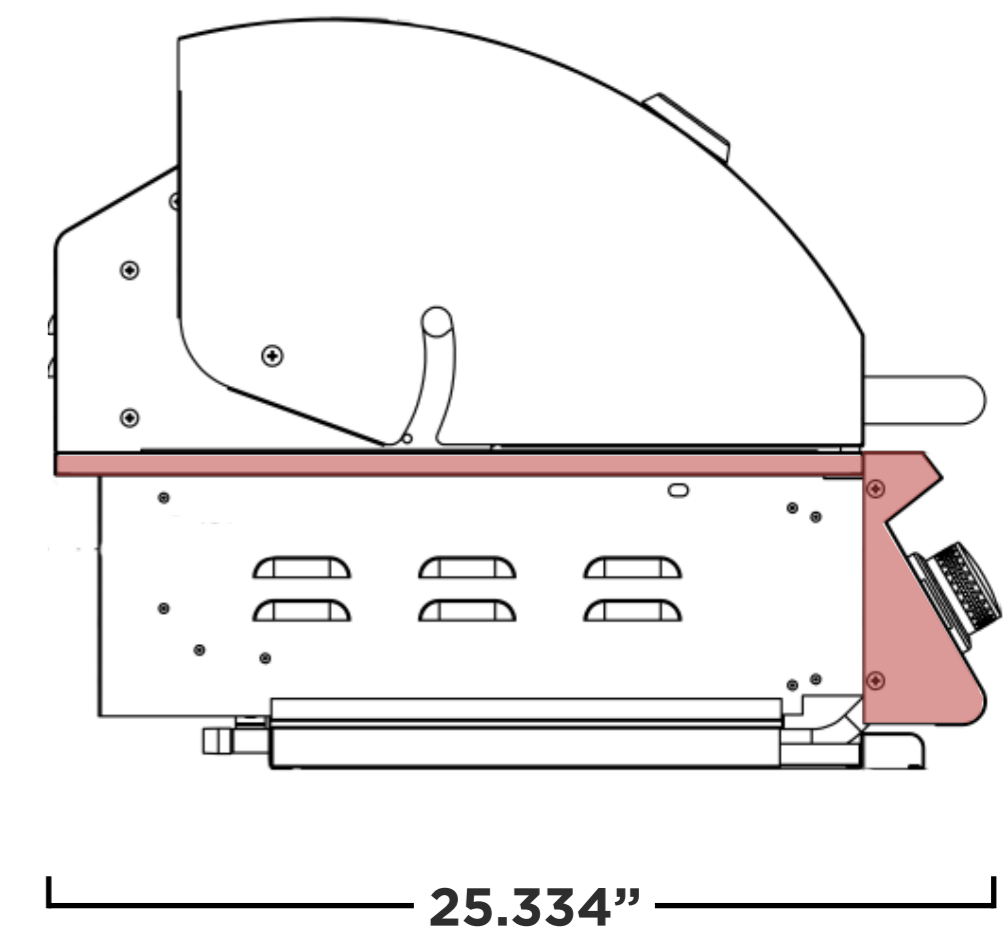
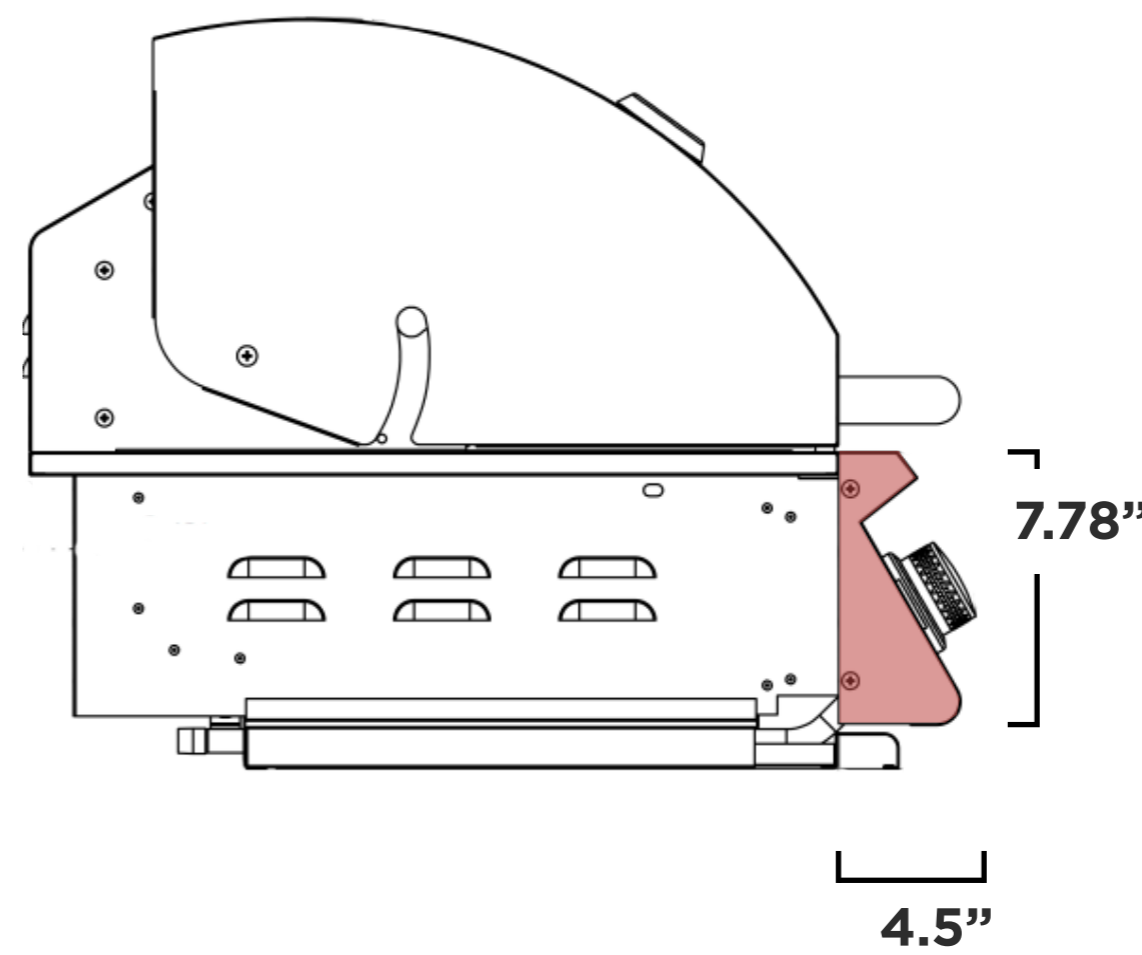
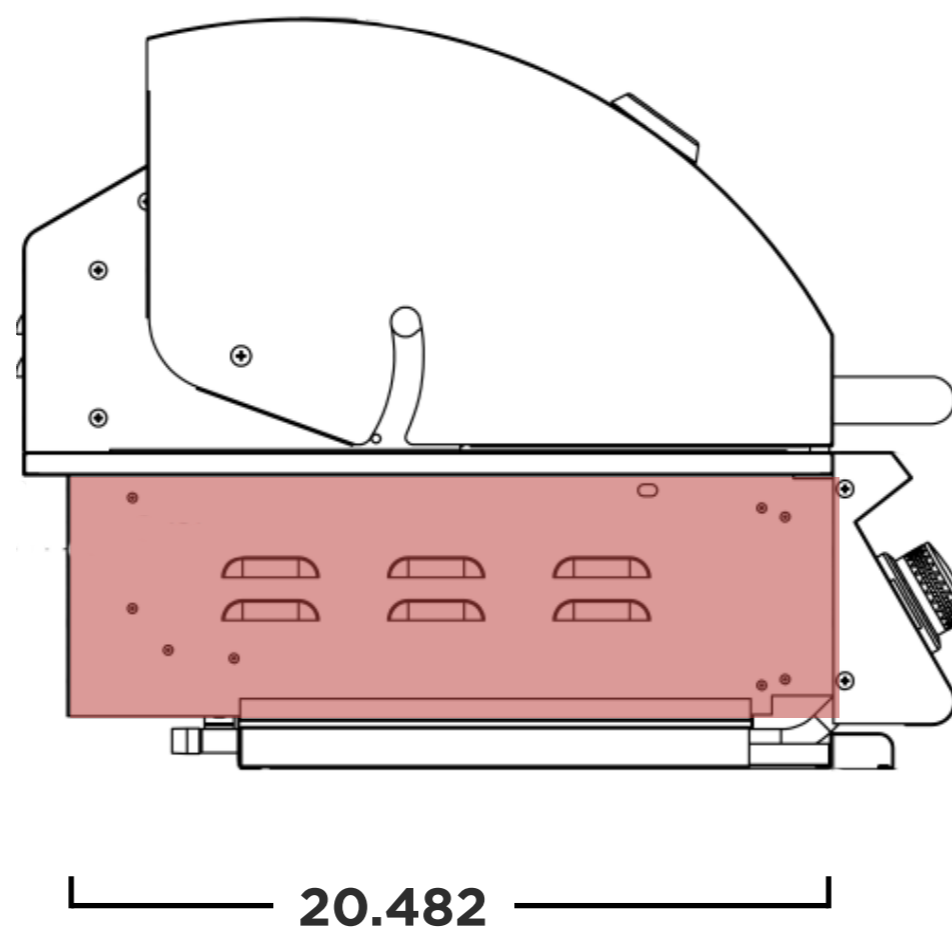
**Front**



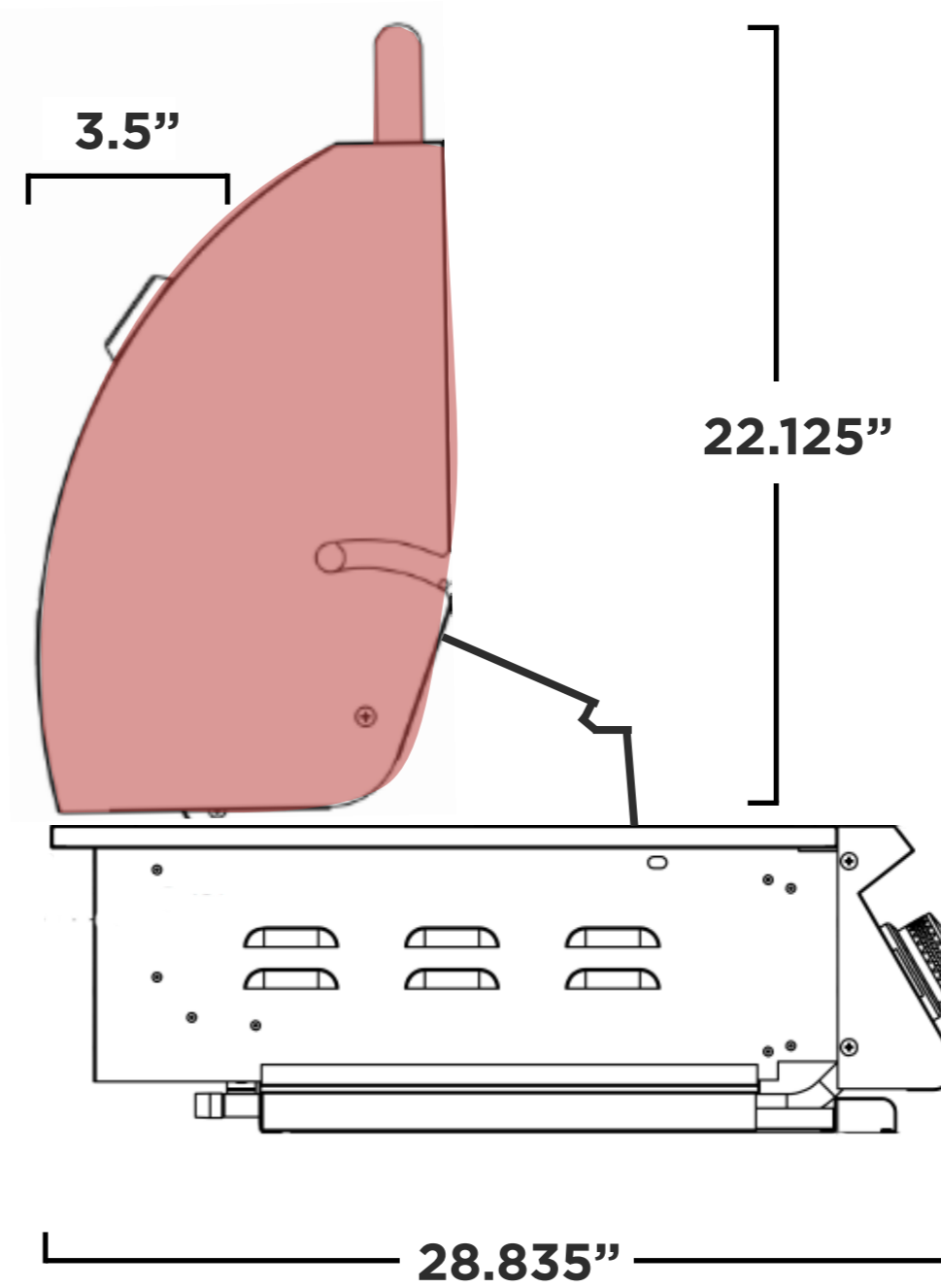
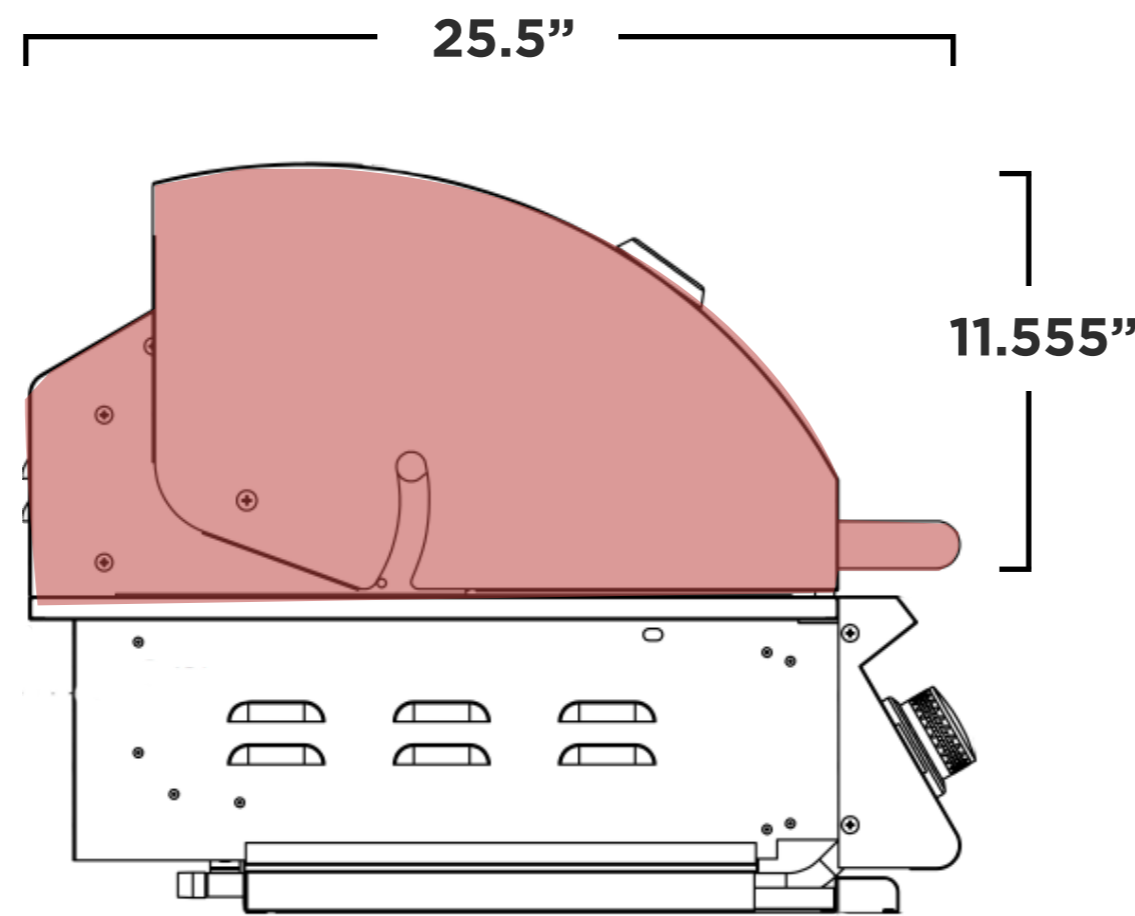
**Rear**



**Side**

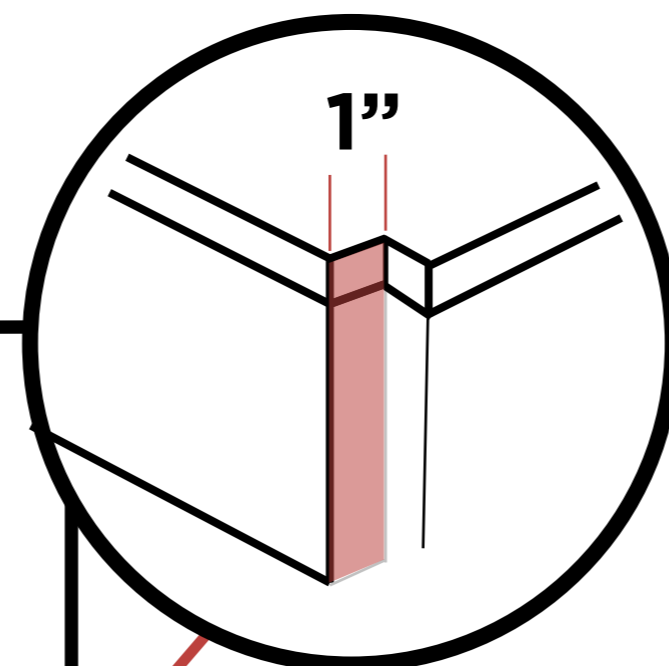
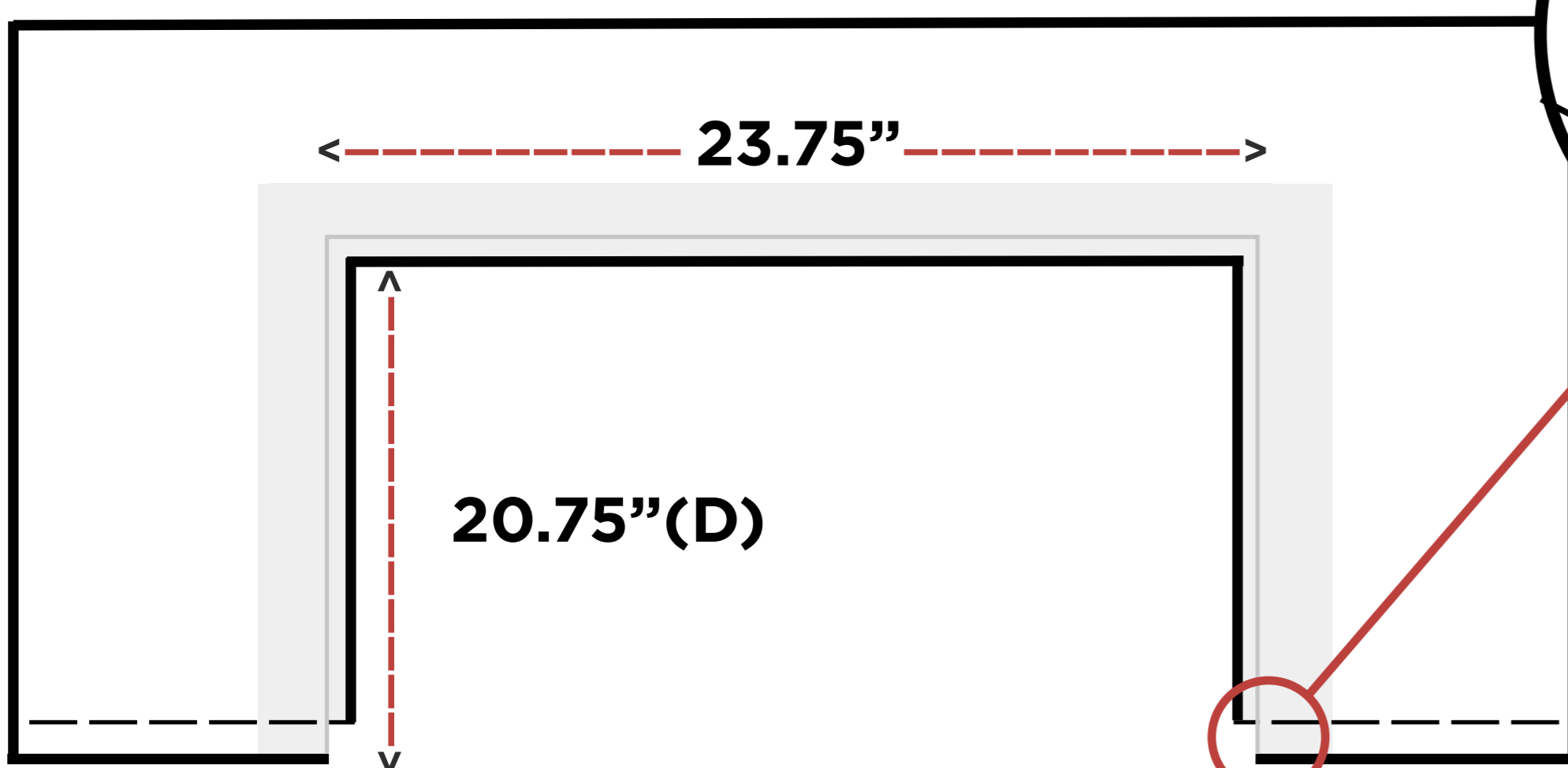


**NOTES**



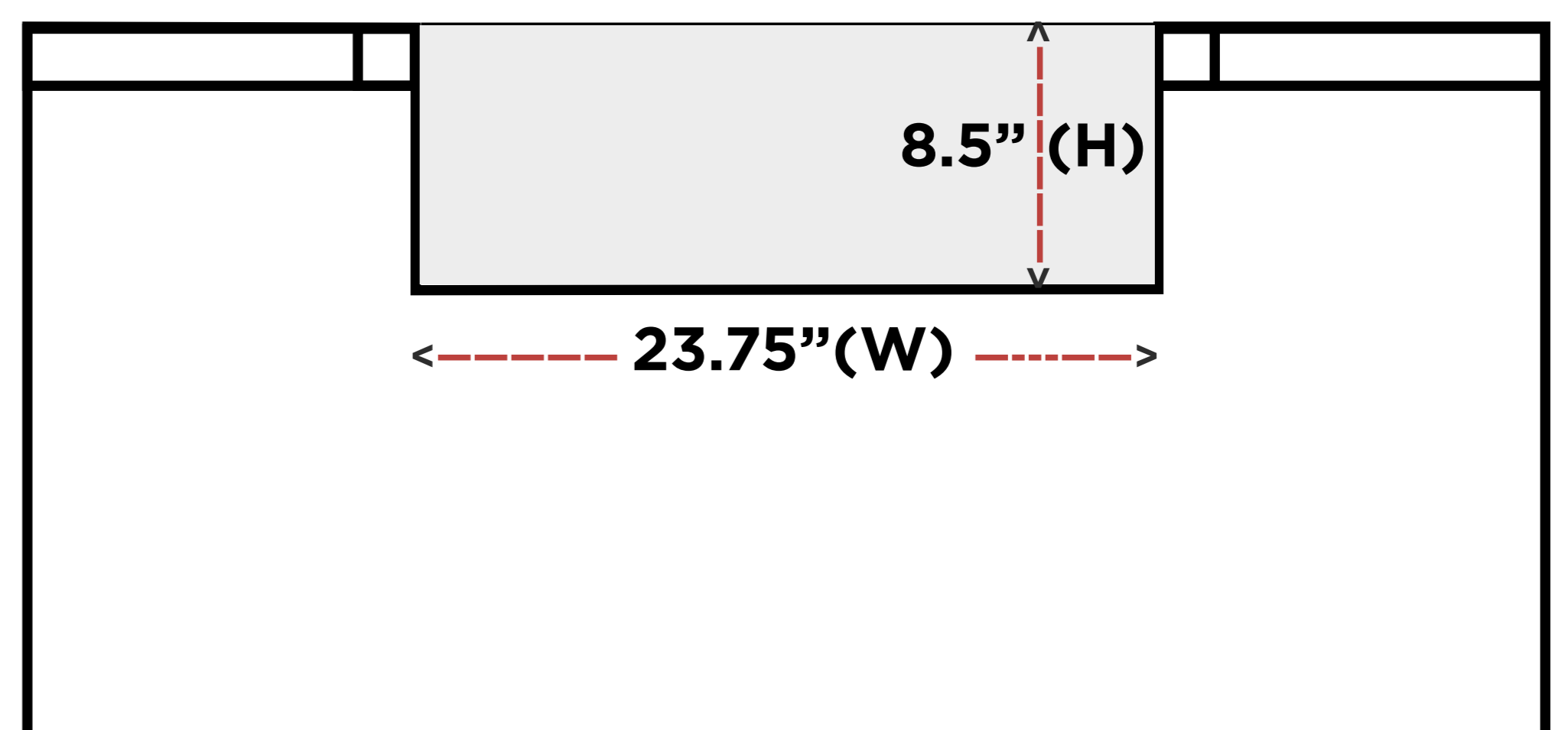
**Cutout Dimensions \*\***  
23.75"W x 8.5"H x 20.75"D

**Island Top View**



Countertop Notch  
Cutout Dimension

**Island Front View**



**Manufacturer Suggested Cutout Dimensions (\*\*)**