

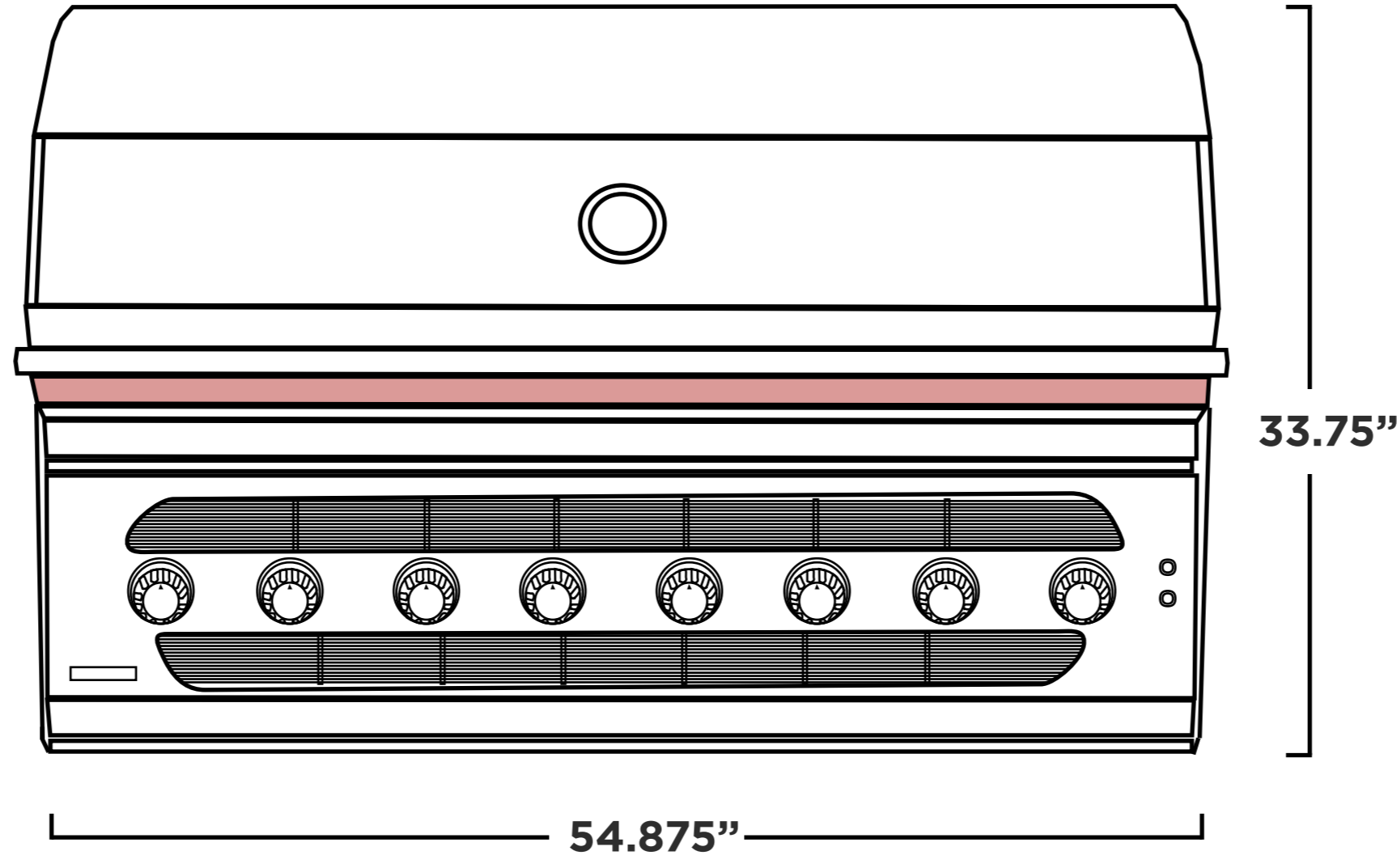


SUMMERSET
PROFESSIONAL GRILLS

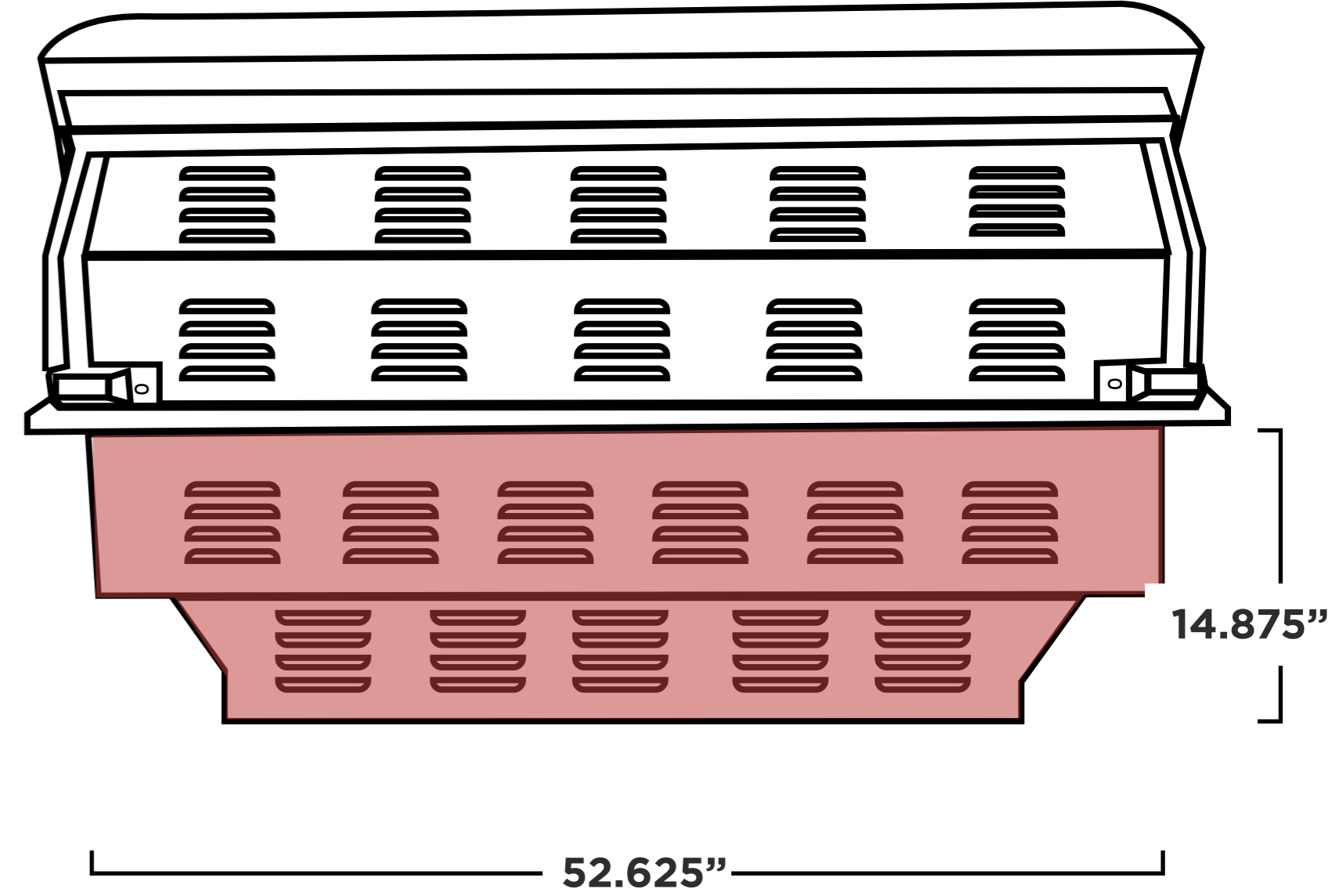
54" - American Muscle Grill

Model	AMG54
Cutout Dimensions**	53"W x 15"H x 25"D
Actual Dimensions	54.875"W x 33.75"H x 33"D
Material	#304 Stainless Steel
Burner Count	8 Main Burner
Total BTU	176,000 BTU
Total Cooking Surface	1,687 sq. in.
Electical Supply	120 VAC, 60 HZ - Input 12 VAC, 5000 mA, 60W - Output
Gas Inlet NG	1/2" NPT Female Regulator
Gas Inlet LP	3/8" NPT Male Fitting
Power Cord Length	13 ft. : 77" Power Cord + 80" Trans Wire

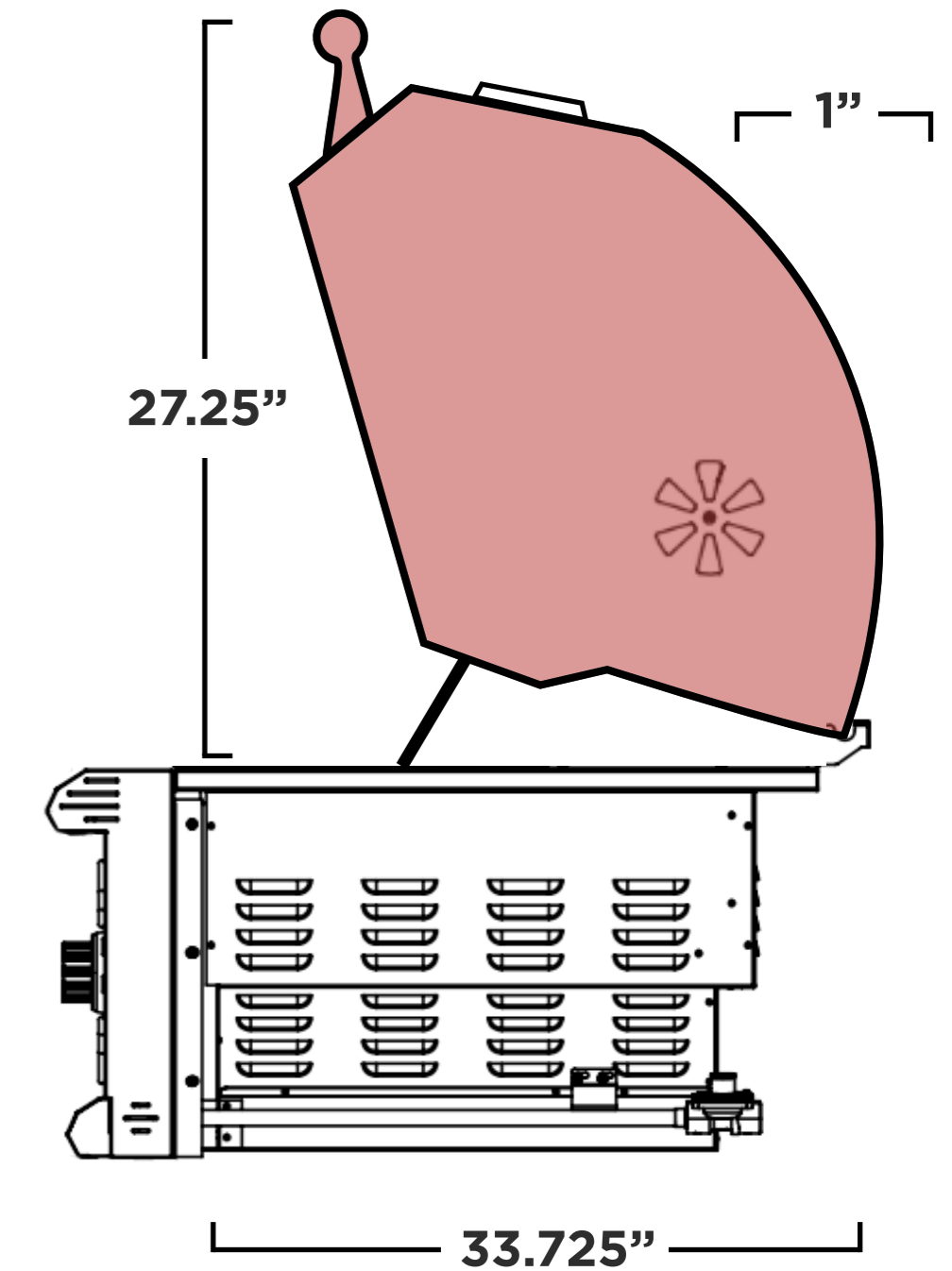
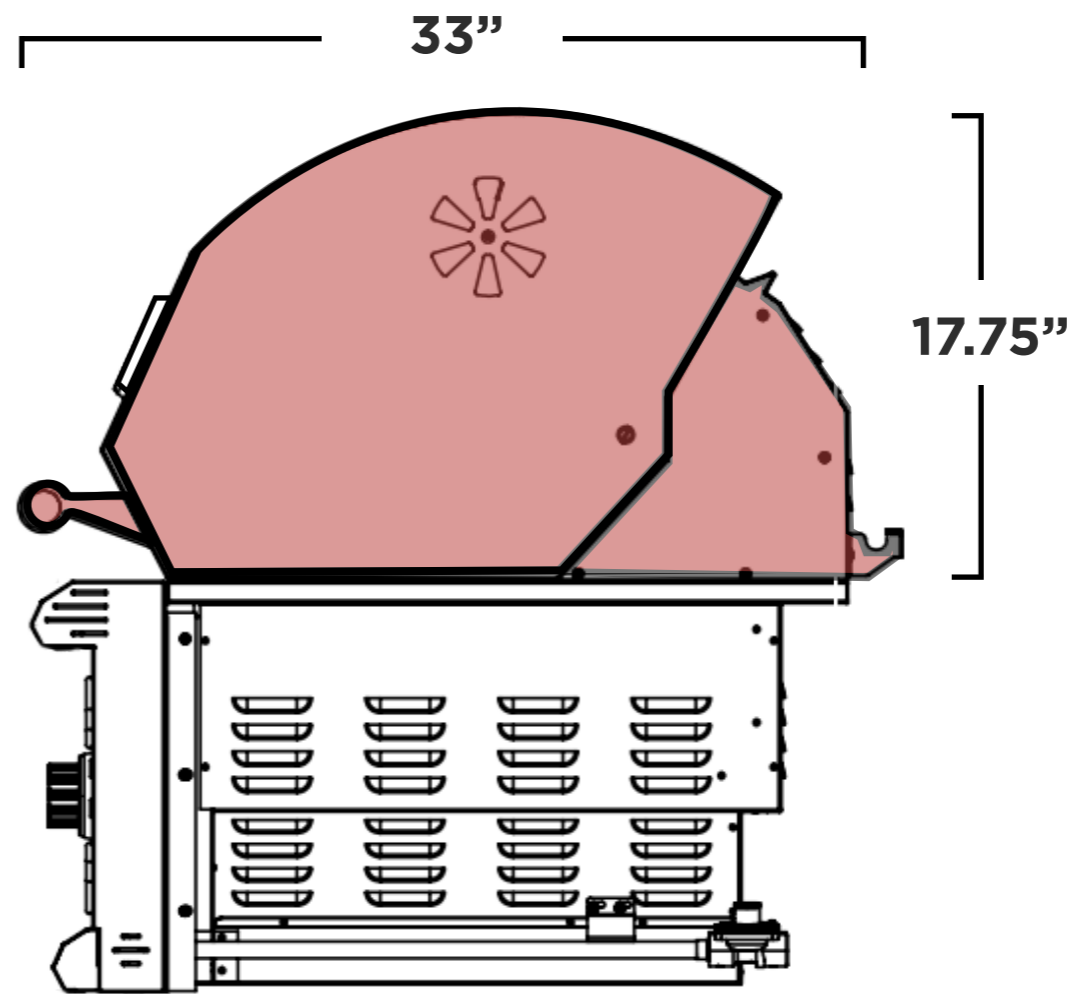
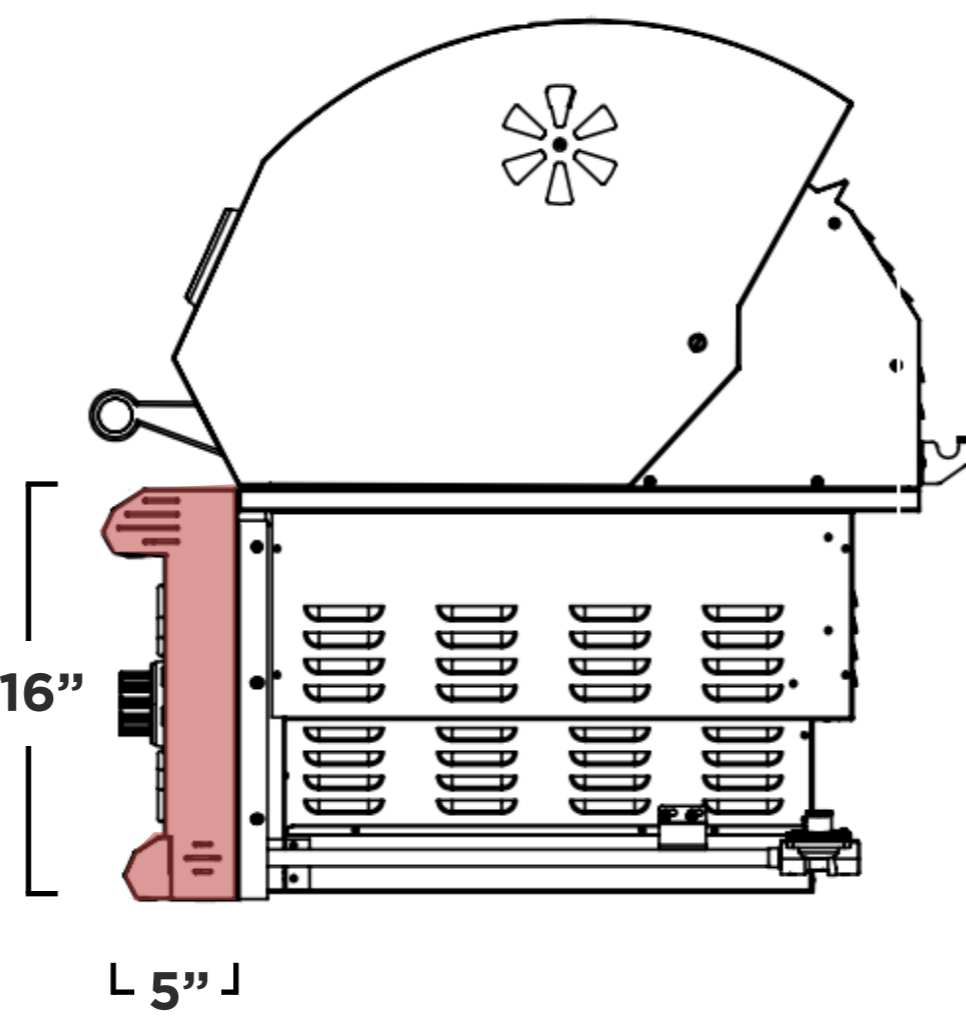
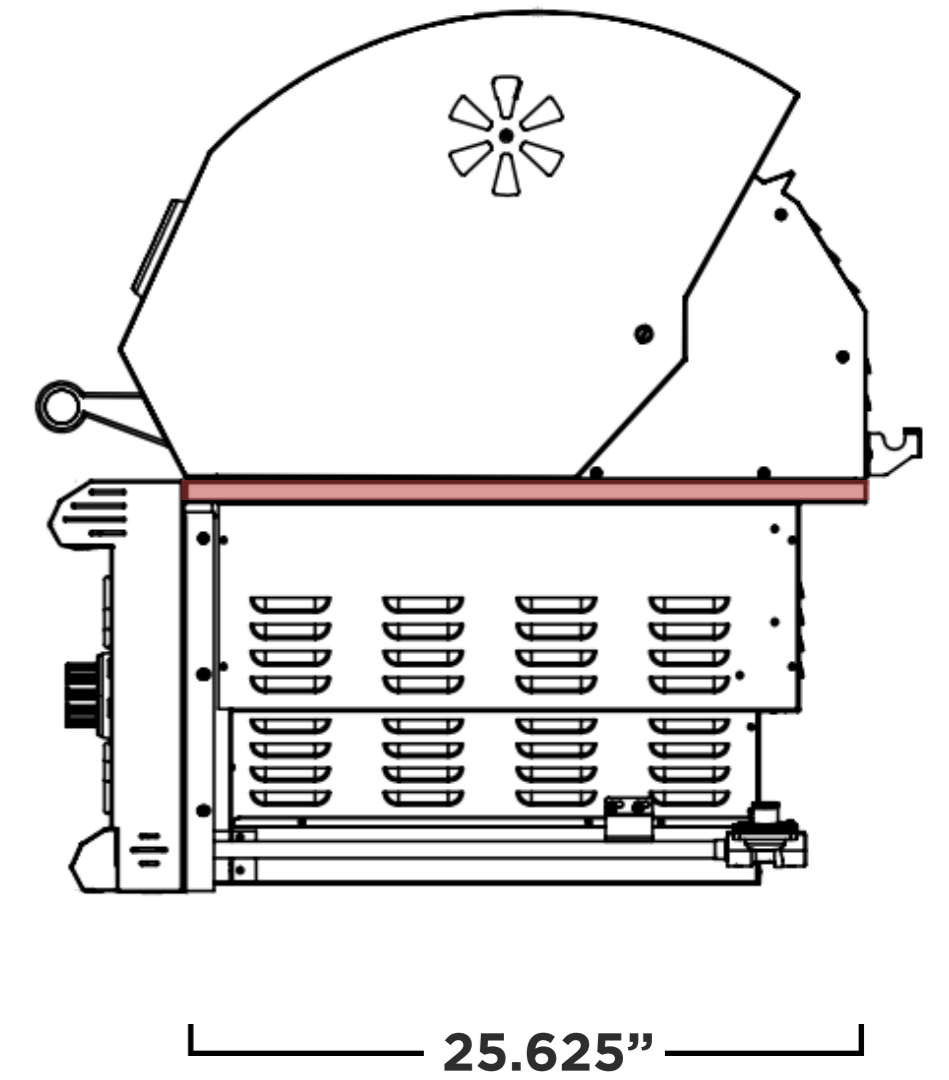
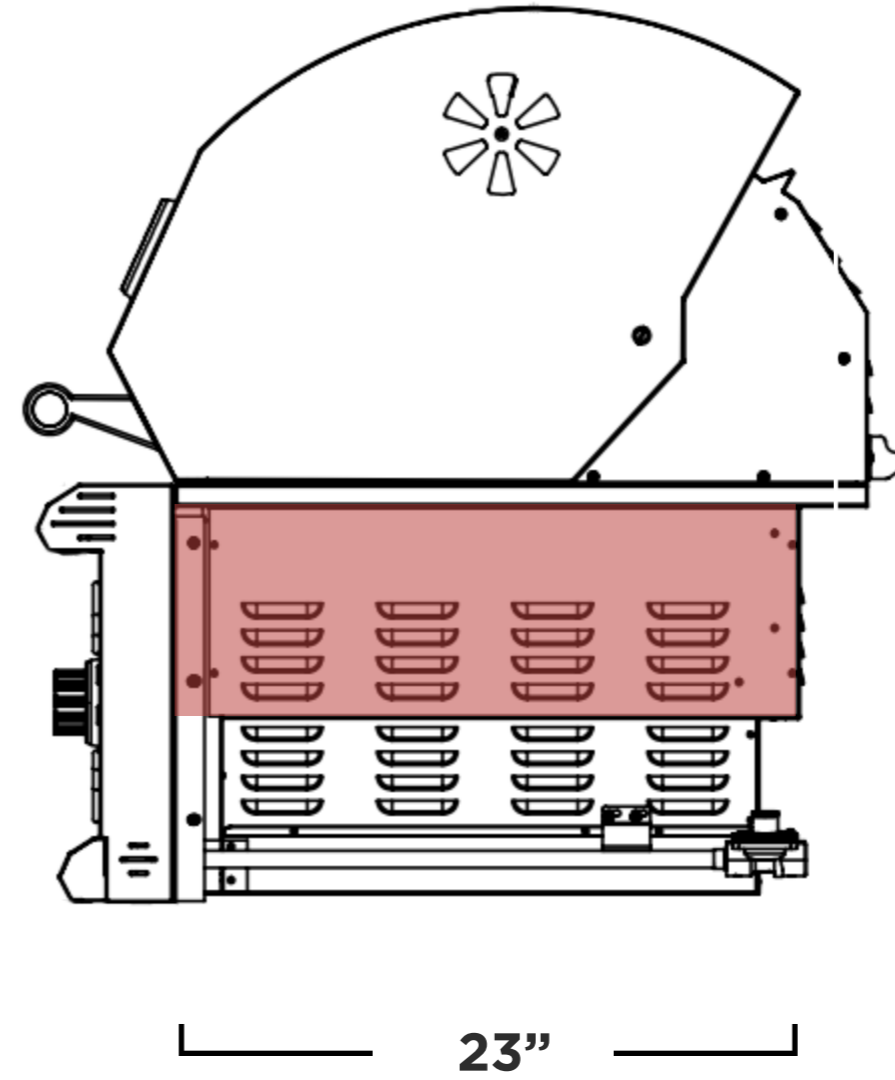
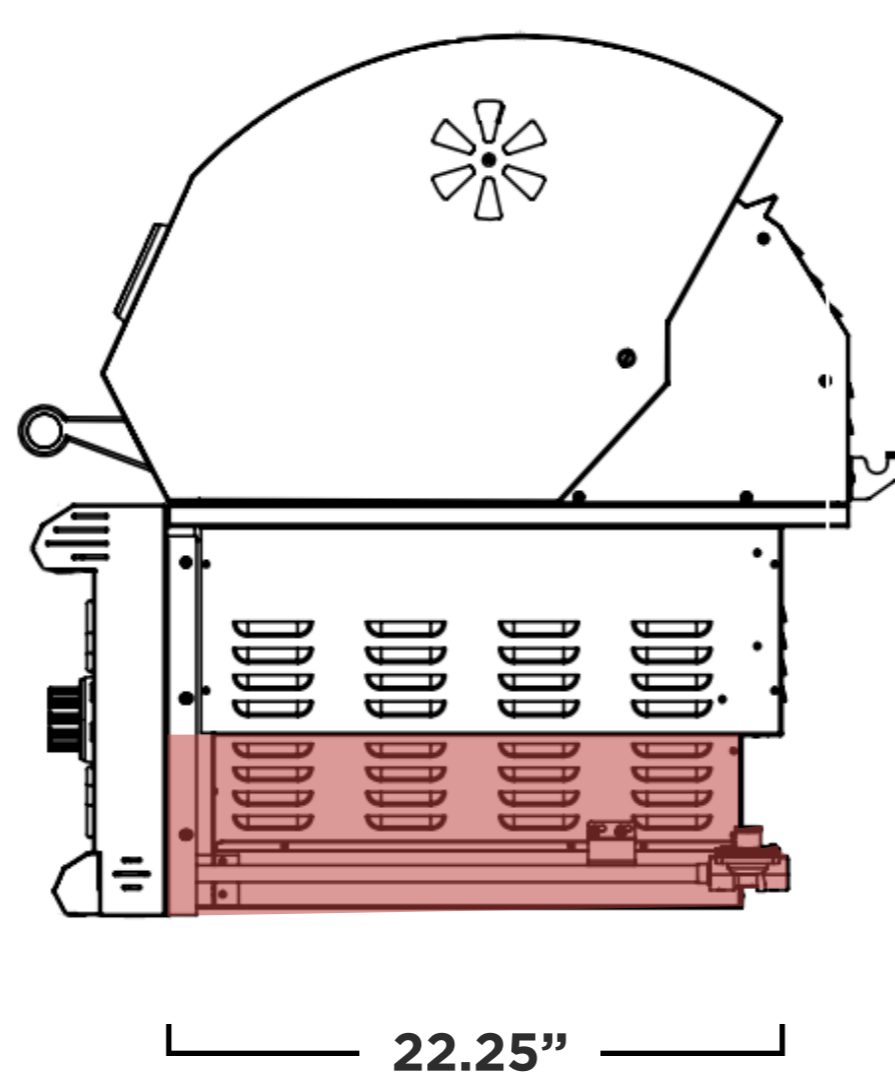
Front



Rear



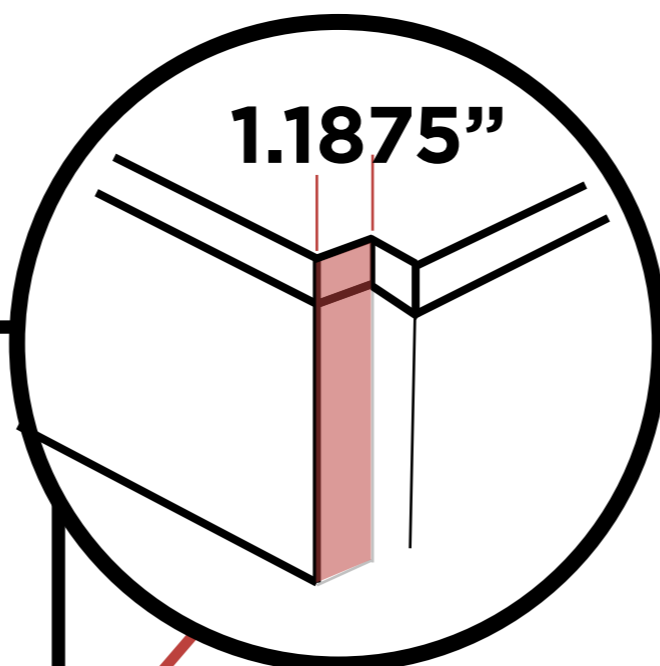
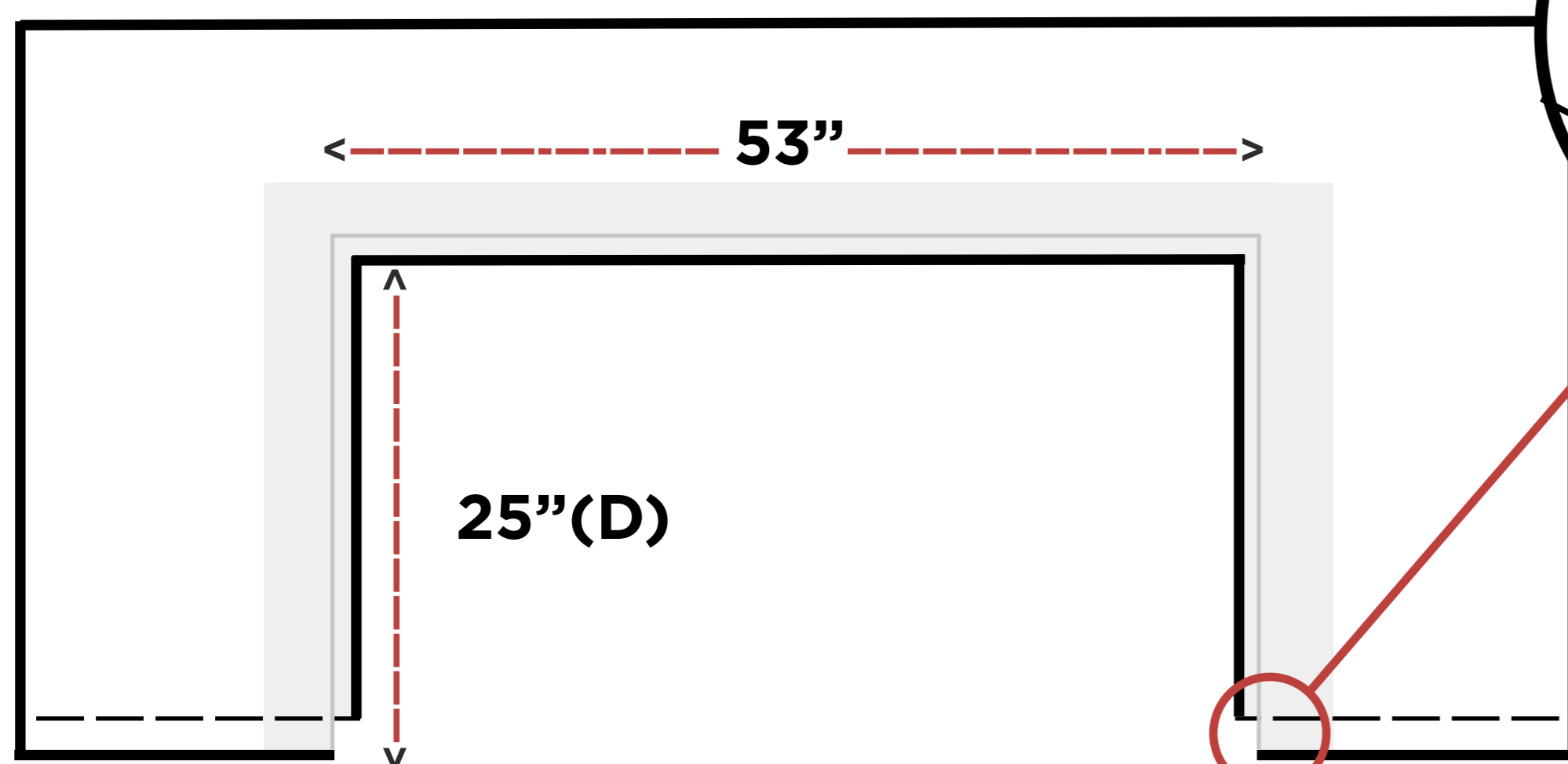
Side



NOTES

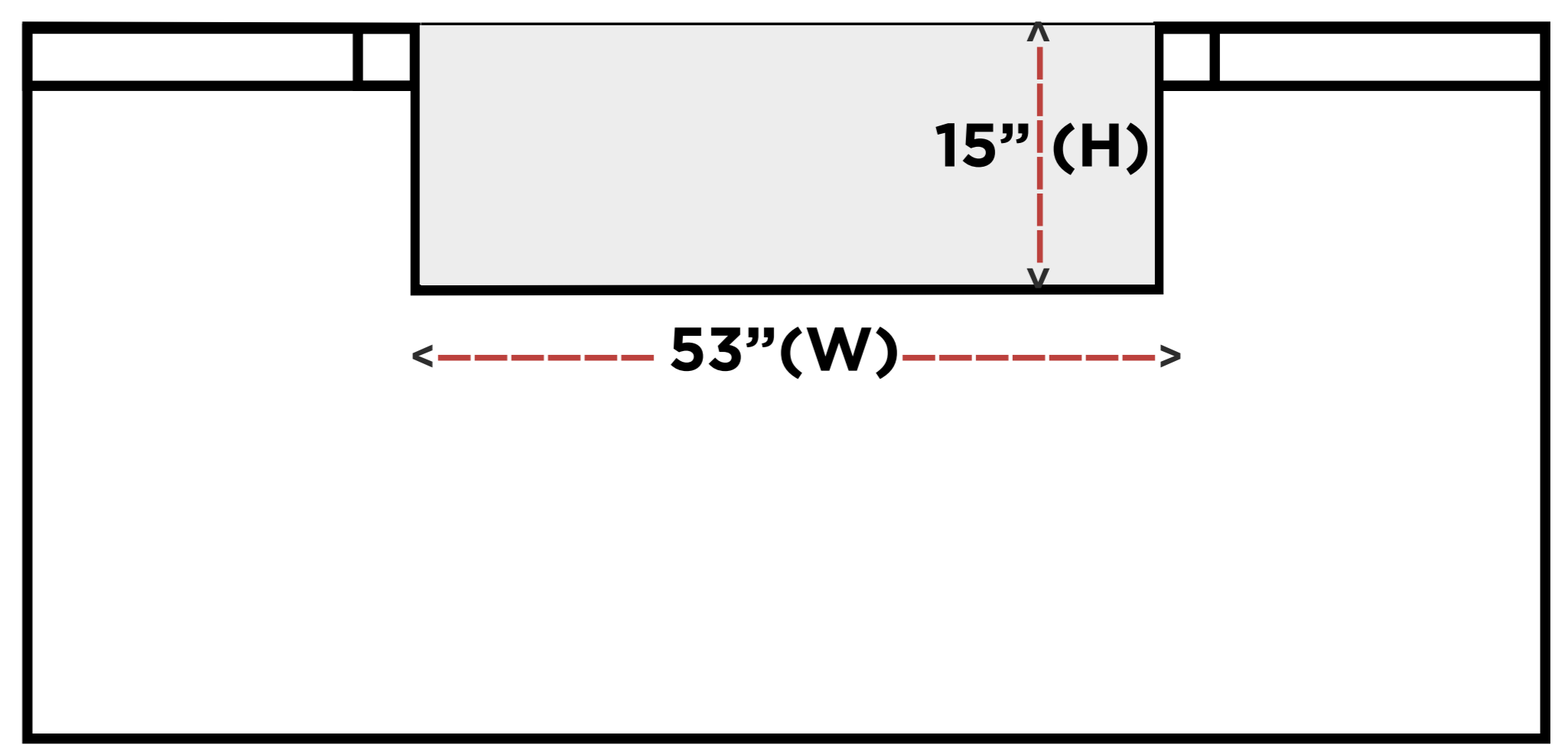
Cutout Dimensions **
53"W x 15"H x 25"D

Island Top View



Countertop Notch
Cutout Dimension

Island Front View



Manufacturer Suggested Cutout Dimensions ()**